

1134 Differential Pressure Gauge

FEATURES

- Ranges from 0.6 IWD to 60 IWD
- Low cost reed switches (OPT.) for direct system control
- Standard with in-line and back process ports
- Buna-N Seals (others available)
- Convoluted diaphragm actuator

TYPICAL USES

- Filtration monitoring
- Flow measurement
- Clean room positive pressure (low dp)
- Leak detection



1134
4½" dial size

SPECIFICATIONS

Accuracy: ±3% ascending pressure full scale differential

Sizes: 4½"

Ranges: 0.6 IWD to 60 IWD

Maximum Static Pressure: 35 psi

Process Connection: ½ NPT Female

Process Connection Location: Dual, back/in-line

Window Material: Glass

Migration: Zero

Weather Protection: IP65

Maximum Process Temperature: 175° F (80° C)

Mounting Hardware: Flush mounting (STD.), surface plate (OPT.) or pipe mounting bracket (OPT.)

WETTED COMPONENTS

Actuator	O-Rings/Diaphragm	Body Material
Convoluted diaphragm	Buna-N (STD.) EPDM (OPT.)	Glass filled nylon

Ceramic magnet & stainless steel spring are also wetted components

NON-WETTED COMPONENTS

Case Material	Window
Stainless steel	Glass (STD.) Plastic (OPT.)

KEY BENEFITS

- No migration of the process media
- Superior magnets for smoother motion
- Low Cost
- Stainless steel case
- 5 year warranty

RATINGS FOR REED SWITCHES

Switches	Contact Rating	Current	Voltage
SPST	10 VA ac (rms) or dc (Max.)	0.5 Amp ac (rms) or dc (Max.)	100 Vac/Vdc (Max.)
SPDT	3 VA ac (rms) or dc (Max.)	0.3 AMP ac (rms) or dc (Max.)	30 Vac/Vdc (Max.)

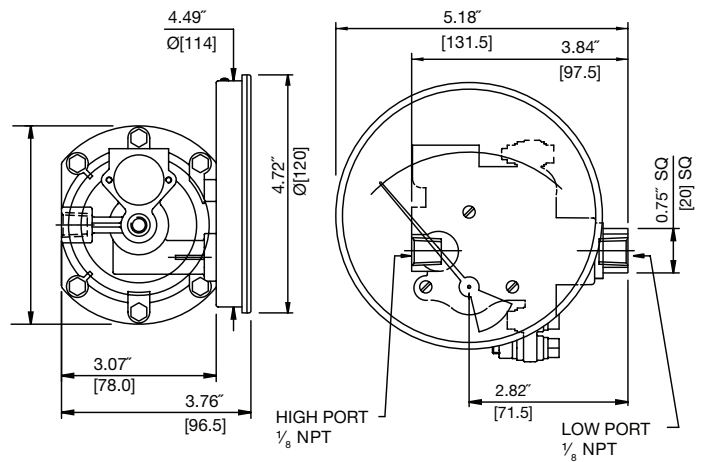
1134 Differential Pressure Gauge

ORDERING CODE	Example:	45	1134	E	D	RQ	M	10IWD	-XBF
Dial Size									
45 - 4½"		45							
Model			1134						
1134 - Large convoluted diaphragm			1134						
Body Material				E					
E - Glass filled nylon				E					
Case Fill					D				
D - Dry					D				
Process Connection Size						RQ			
RQ - 1/8 NPT Female						RQ			
Process Connection Location							M		
M - Dual In-Line or back							M		
Range (coding examples only, see range table below for all standard ranges)								10IWD	
10IWD - 10-in. H ₂ O								10IWD	
Options (If choosing an option(s) must include a "X")									-X
BF - Surface mount									BF
EM - EPDM Diaphragms and O-rings (ranges up to 4IW)									
PD - Plastic window									
TM - Pipe mounting bracket									
VD - Viton® Diaphragms and O-rings									
V1 - 1-SPST switch with DIN plug, (Adj. 40-80% of range)									
V3 - 2-SPST switch with DIN plug, (Adj. 40-80% of range)									
V5 - 1-SPDT switch with DIN plug, (Adj. 40-80% of range)									

Single Scale (in H ₂ O)			
0.6IW	4IW	10IW	30IW
1IW	5IW	15IW	40IW
2IW	6IW	20IW	50IW
3IW	8IW	25IW	60IW

STANDARD ACCESSORIES
Two nylon 3/16" hose barb tube adapters, Flush mounting kit and Two plugs for sealing connections not in use

DIMENSIONS in [] are millimeters
For reference only, consult Ashcroft for specific dimensional drawings



This instrument with its off-center profile can still be easily inserted in a 115 mm panel cutout.