

## Data Sheet

# HPX High Purity Pressure Gauge

50mm and 63mm Dial Sizes

### FEATURES

- 316L SS Wetted parts
- Helium leak tested to  $1 \times 10^{-8}$  atm cc/s
- Cleaned in class 10,000/100 clean room
- Polyethylene-sealed after nitrogen gas flushing

### TYPICAL USES

- High purity gas delivery systems
- Gas sticks
- Process gas analyzers
- Semiconductor



### SPECIFICATIONS

Accuracy:	±1.5% of span
Dial Sizes:	50mm, 63mm
Ranges:	Vacuum to 15 psi, vacuum to 300 psi 0 to 60 psi, 0 to 3,000 psi
Surface Finish:	Tube and fitting < 1.6 µm Ra
Process Connection:	50mm: ¼ Male or female VCR type (¼-18UNF) 63mm: G ¼ B Male, R ¼ Male, ¼ NPT Male, ¼ Male VCR type (¼-18UNF)
Process Conn. Location:	50mm: Lower, center back 63mm: Lower, lower back
Movement:	300 SS
Window Material:	Glass
Dial:	White face, aluminum
Pointer	Black, aluminum
Approvals:	RoHs
Weight:	50mm: Aprox. 100g 63mm: Aprox. 200g

### HPX

50mm & 63mm dial size



### KEY BENEFITS

- Ultraclean design & packaging
- 100% Helium leak tested
- Serialized dial (7 digit)

### MIN/MAX TEMPERATURE LIMITS

Ambient	Process	Storage
23°F to 113°F (-5°C to 45°C)	23°F to 113°F (-5°C to 45°C)	23°F to 113°F (-5°C to 45°C)

### WETTED COMPONENTS

Diaphragm	Gland/Socket	Joints
316L SS	316L SS	Argon Arc Welded

### NON-WETTED COMPONENTS

Case	Ring
304 SS	304 SS

# Data Sheet

## HPX High Purity Pressure Gauge

50mm and 63mm Dial Sizes

ORDERING CODE	Example:	50	H	PXG	MVS	B	V/150#
<b>Size</b>							
50 - 50mm		50					
63 - 63mm							
<b>Gauge Family</b>							
H - High Purity Gauge			H				
<b>Purity Level</b>							
PXG - Class 100 (63mm) / Class 10000 (50mm)				PXG			
<b>Process Connection</b>							
MVF - Male 1/16"-18 (1/4" VCR Compatible, (63mm only)							
MGF - G 1/4 B Male (63mm only)							
MRF - R 1/4 Male (63mm only)							
MNF - 1/4 NPT Male (63mm only)							
MVS - 1/4 Male swivel VCR type (1/16"-18 UNF male); 50mm only					MVS		
FVS - 1/4 Female swivel CVC type (1/16"-18 UNF female); 50mm only							
<b>Process Connection Location</b>							
L - Lower							
B - Back (50mm: center back, 63mm: lower back)						B	
<b>Range</b>							
# - PSI							
V/# - Inches of Mercury Vacuum and PSI							V/150#
BR - Bar							
KP - Kilopascals							
MP - Megapascals							

## Data Sheet

### HPX High Purity Pressure Gauge

50mm and 63mm Dial Sizes

STANDARD RANGES			
psi	bar	kPa	MPa
V/15#	N1/1BR	N100/100KP	NP1/P1MP
V/30#	N1/2BR	N100/200KP	NP1/P2MP
V/45#	N1/3BR	N100/300KP	NP1/P3MP
V/60#	N1/4BR	N100/400KP	NP1/P4MP
-	N1/6BR	N1/600KP	NP1/P6MP
V/150#	N1/10BR	N1/1000KP	NP1/1MP
V/200#	N1/15BR	N1/1500KP	NP1/1PMP
V/300#	N1/20BR	N1/2000KP	NP1/2MP
60#	4BR	400KP	P4MP
-	6BR	600KP	P6MP
100#	-	-	-
150#	10BR	1000KP	1MP
200#	-	-	-
-	16BR	1600KP	1P6MP
300#	-	-	-
-	25BR	2500KP	2P5MP
500#	-	-	-
600#	40BR	-	4MP
-	60BR	-	6MP
1000#	70BR	-	7MP
1500#	100BR	-	10MP
2000#	-	-	15MP
-	160BR	-	16MP
3000#	-	-	20MP
-	250BR	-	25MP

**Data Sheet**

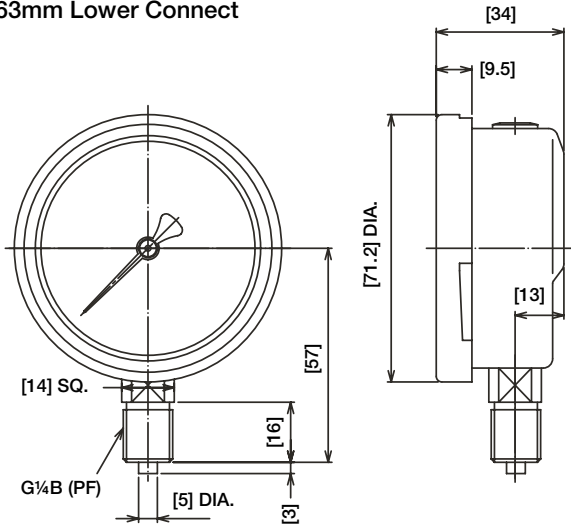
**HPX High Purity Pressure Gauge**

50mm and 63mm Dial Sizes

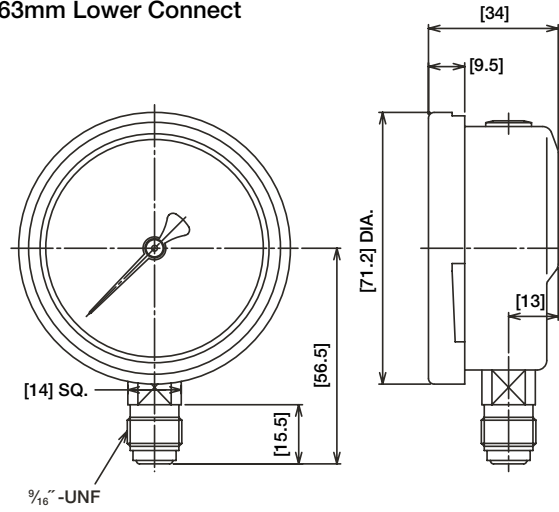
**DIMENSIONS** in millimeters

For reference only, consult Ashcroft for specific dimensional drawings

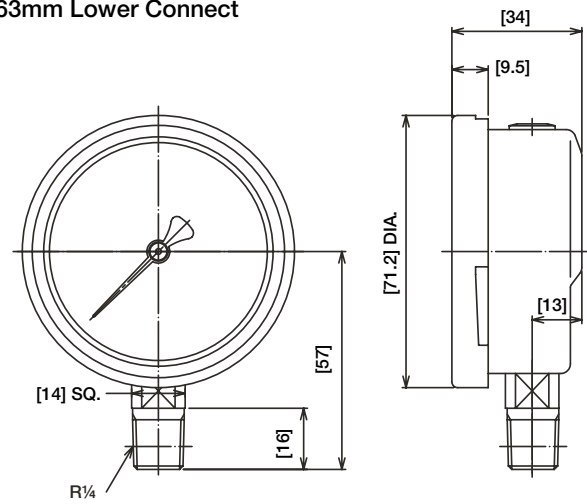
63mm Lower Connect



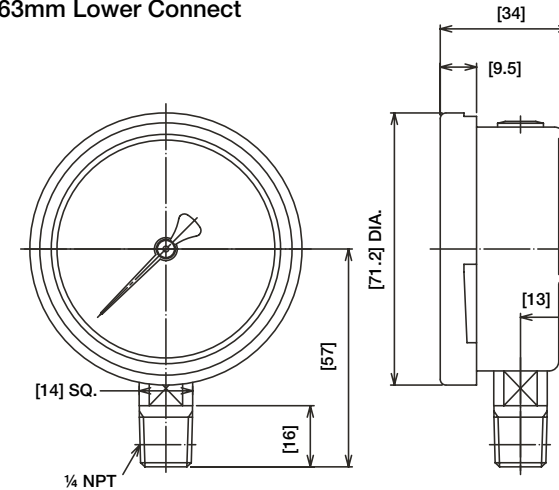
63mm Lower Connect



63mm Lower Connect



63mm Lower Connect



**Data Sheet**

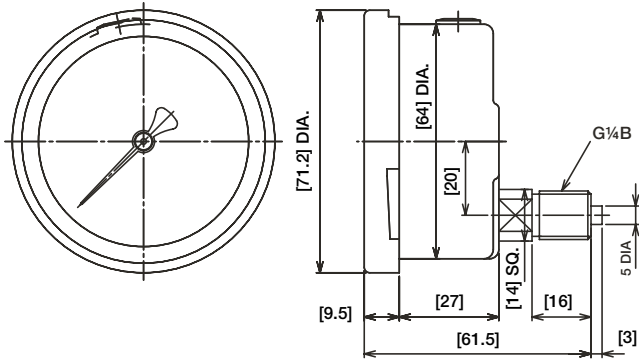
**HPX High Purity Pressure Gauge**

50mm and 63mm Dial Sizes

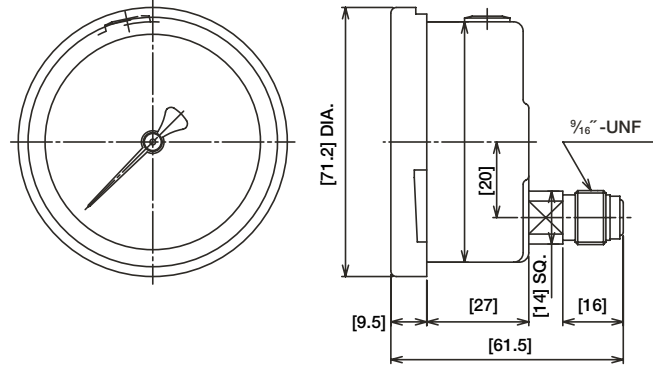
**DIMENSIONS** in millimeters

For reference only, consult Ashcroft for specific dimensional drawings

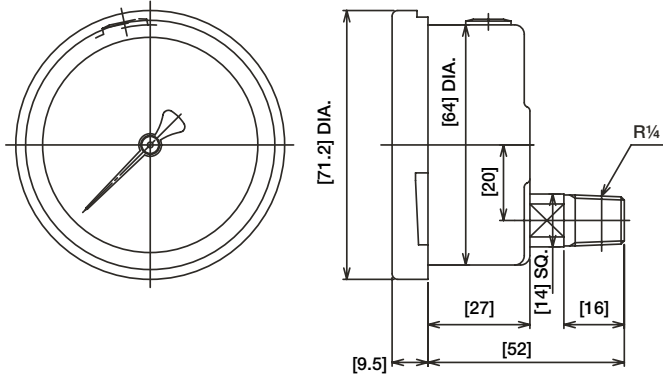
63mm Back Connect



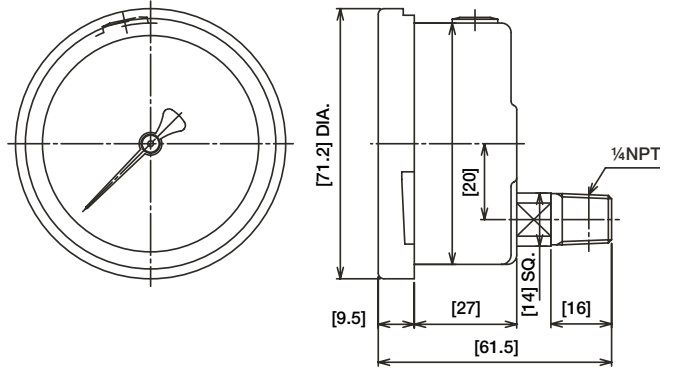
63mm Back Connect



63mm Back Connect



63mm Back Connect



**Data Sheet**

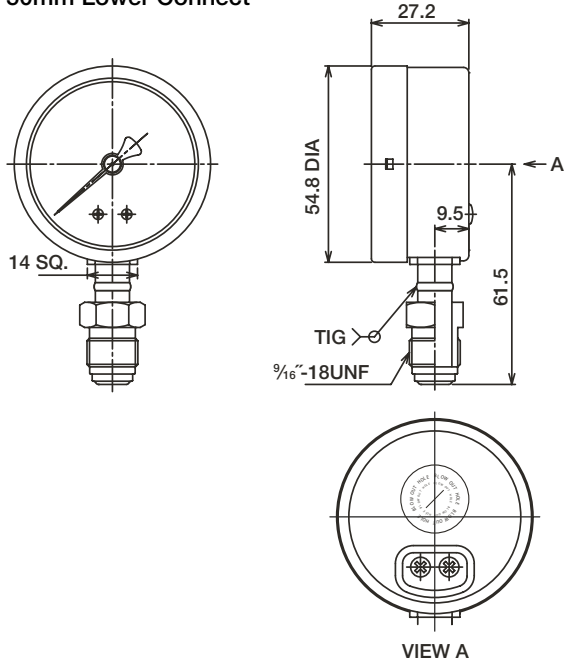
**HPX High Purity Pressure Gauge**

50mm and 63mm Dial Sizes

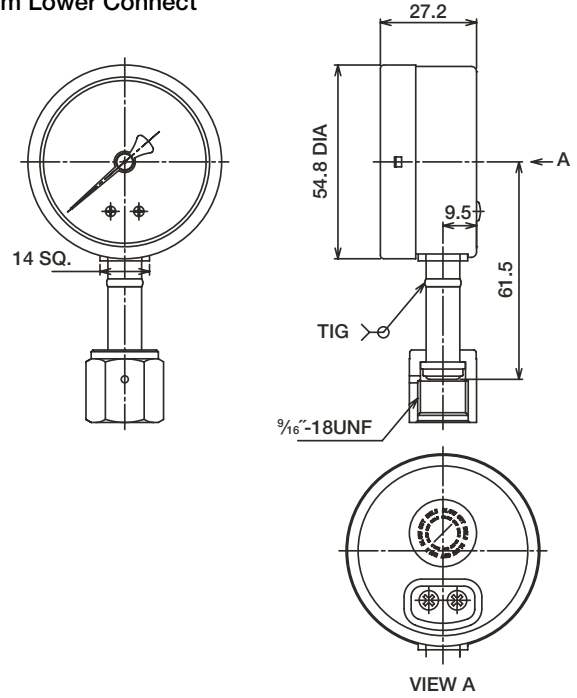
**DIMENSIONS** in millimeters

For reference only, consult Ashcroft for specific dimensional drawings

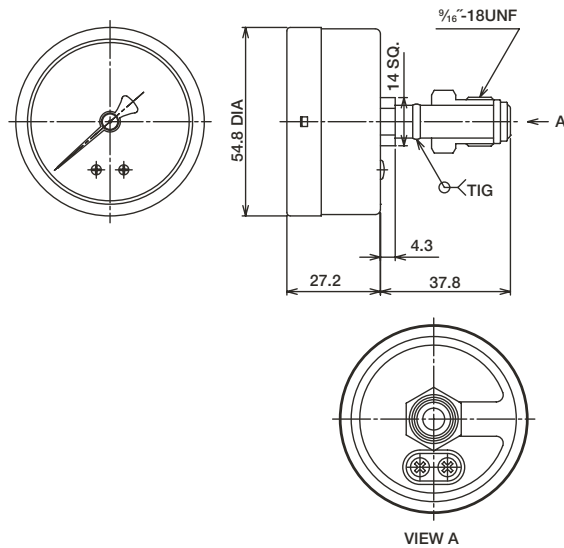
**50mm Lower Connect**



**50mm Lower Connect**



**50mm Back Connect**



**50mm Back Connect**

