

## Type 400/500 Threaded All-Welded Diaphragm Seal



Type 400



Type 500

### PRODUCT FEATURES

- Compact size
- Light weight
- All-welded design
- Flushing option
- Continuous duty design
- Minimized fill volume
- Male connections eliminate adapters/fittings

### SPECIFICATIONS

<b>Model Number:</b>	Type 400, 500
<b>Process Connection Size:</b>	¼ NPT & ½ NPT Female ¼ NPT & ½ NPT Male
<b>Instrument Connection Size:</b>	¼, ½ NPT
<b>Diaphragm Material:</b>	316L SS, Hastelloy C-276, Monel 400, Tantalum, Titanium
<b>Bottom Housing Materials:</b>	316L SS, Hastelloy C-276, Monel 400, Titanium
<b>Filling Fluid:</b>	Glycerin, Silicone, Halocarbon, Syltherm
<b>MAWP:</b>	Type 400/401: 4400 psi Type 400/XHP: 9000 psi Type 401/XHP: 5000 psi Type 500/501: 500 psi

### OPTIONS

	<b>Code</b>
Stainless steel clamp rings and flanged ring – includes 300SS clamping bolts (1500 psi max, 5000 psi max with XHP) (Type 400)	<b>SE</b>
300SS clamping bolts (max pressure is 1500 psi) (Type 400)	<b>SB</b>
Pipe plugs for flushing connections – pipe plugs are available in the same materials as bottom housings	<b>PU</b>
High Pressure Rings	<b>HP</b>
Welded instrument to diaphragm seal	<b>DU</b>
Clean for gaseous oxygen or strong oxidizing agent applications.	<b>6B</b>

## Type 400/500 Threaded All-Welded Diaphragm Seal

**Table A – Process Connection**

Process Connection <sup>(1)</sup>	Size	Code
Threaded Female NPT-400	1/4	25
Threaded Female NPT-400	1/2	50
Threaded Female NPT-400	3/4	75
Threaded Female NPT-500	1/4	25
Threaded Female NPT-500	1/2	50
Threaded Female NPT-500	3/4	75
Threaded Female NPT-500	1	10

**Table B – Type**

Description	Code
All-welded diaphragm seal	400
All-welded diaphragm seal	500

**Table C – Diaphragm Materials**

Materials	Code
316L SS	S
Hastelloy B	G
Hastelloy C-22	J
Hastelloy C-276	H
Tantalum	U
Monel	P
Titanium	TI

**Table D – Housing Materials**

Bottom	Code	Top <sup>(1)</sup>
316L SS	SL	316L SS
Hastelloy B	G	316L SS
Hastelloy C-22	J	316L SS
Hastelloy C-276	H	316L SS
Monel	N	Monel
Titanium	TI	Titanium

(1) 316L SS (standard) except for monel which has a monel top housing and titanium which has a titanium top housing.

**Table E – Instrument Connection**

Instrument Connection	Size	Code
Threaded – female NPT	1/4	02T
Threaded – female NPT	1/2	04T

**Table F – Filling Fluid**

Fill	Service	Connection to Instrument	Temperature Range °F	Code
Glycerin	Pressure	Direct Only	0/400	CG
Silicone	Pressure/Vacuum	Direct or Flexible Line	-40/600	CK
Halocarbon	Pressure/Vacuum in presence of strong oxidizing agent	Direct or Flexible Line	-70/300	CF
Syltherm	Pressure	Direct or Flexible Line	-40/750	HA

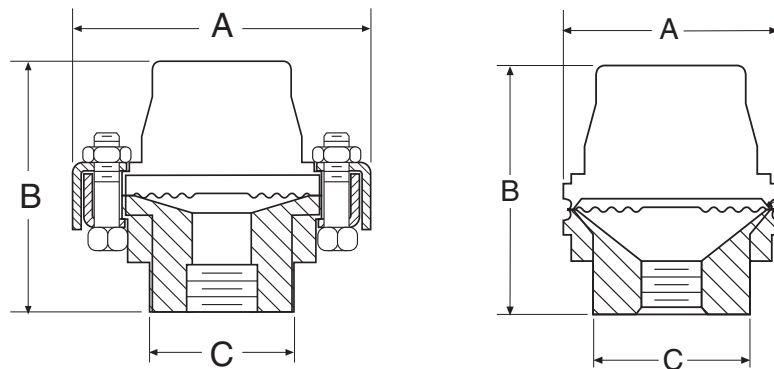
Monel is a registered trademark of Huntington Alloys, Inc.  
Hastelloy is a registered trademark of Cabot Corp.  
Halocarbon is a registered trademark of Halocarbon Products  
GYLON 3510 is a registered trademark of Garlock Inc.

### HOW TO ORDER:

1. From Table A...select PROCESS CONNECTION and SIZE. (e.g., 1"-code 10")
2. From Table B...select TYPE NUMBER. (e.g., code 400)
3. From Table C...select DIAPHRAGM MATERIAL. (e.g., 316L stainless steel-code SL)
4. From Table D...select BOTTOM HOUSING MATERIAL. (e.g., 316 stainless steel-code S)
5. From Table E...select INSTRUMENT CONNECTION size. (e.g., 1/4 NPT-code 02T)
6. From Table F...select FILLING FLUID, if diaphragm seal will be attached to instrument. (e.g., Glycerin-code CG)

Typical code: 10-400SS-02T-150RF-CG

### DIMENSIONS



**Type 400 Threaded**

A		B		C	
in	mm	in	mm	in	mm
3/4	(95)	2 1/2	(73)	1 1/16	(46)

**Type 500 All-Welded**

A		B		C	
in	mm	in	mm	in	mm
2 1/2	(63)	2 1/2	(73)	1 1/16	(46)