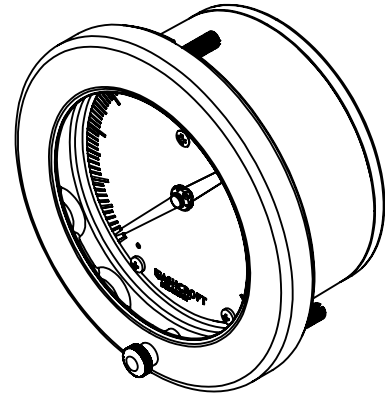
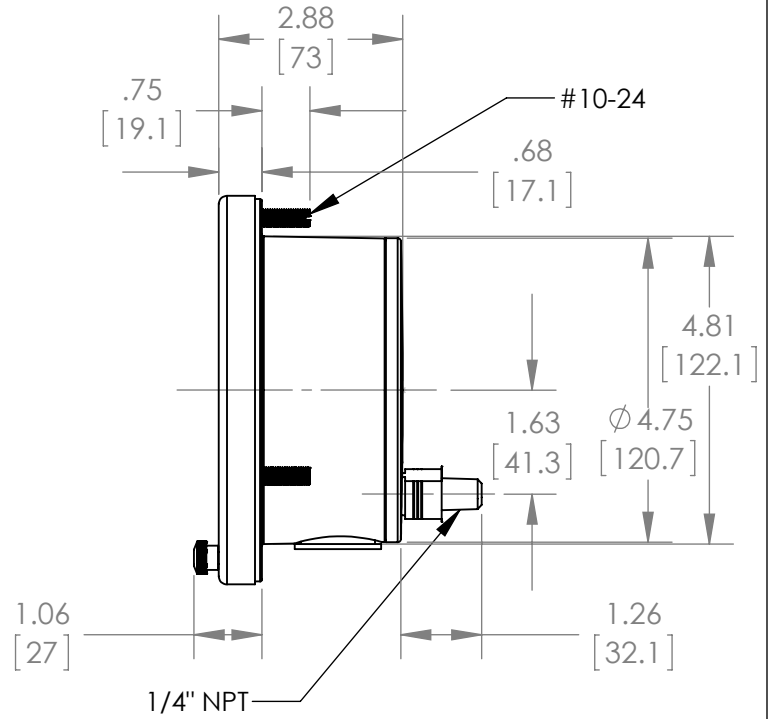
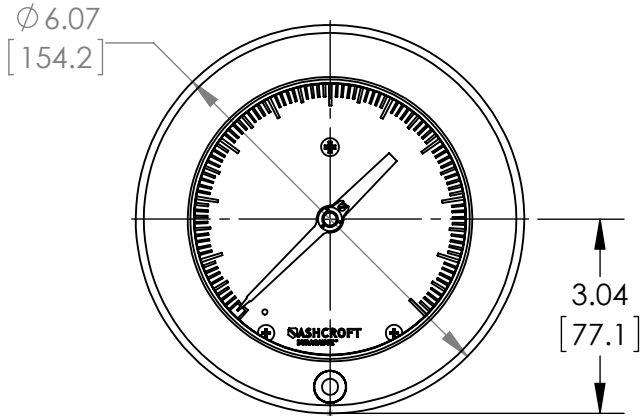


This drawing includes confidential information which is the property of ASHCROFT INC. This copy is loaned for a specific purpose, with the understanding that it will not be reproduced or used for any other purpose or disclosed to others, and it will be returned on demand.

ASHCROFT INC.

250 EAST MAIN STREET
STRATFORD, CT 06614



Note: 3 Mounting studs threaded equally spaced on a 5.375" [137] Bolt Circle.

DIMENSIONS IN [] ARE MILLIMETERS

REV.	ECO	DESCRIPTION	BY	DATE
A	6783	GENERAL DIMS. FOR 45 1017 O2B	JDB	10/16/2013

This print certified correct for		General Dimensions			
Customer's Name		45 1017 02B SERIES			
		FLUSH MOUNTED GENERAL SERVICE GAUGE			
Customer's Order No.	Drawn JDB	Date 10/16/2013	Date of Issue		
Ashcroft Order No.	Checked	Date	SHEET-1		Rev.
Certified by	Date	Approved	Date	70A3986	A