

## Type 1017 General Service Gauge Available With **PLUS!**<sup>™</sup> Performance Option



- Available in 4½" and 6" dial sizes
- Solid front case style, black epoxy painted aluminum case
- Hinged-steel black enamel texture finish panel ring

The Ashcroft® Type 1017 pressure gauge is the most economical of the general service industrial gauges when flush panel mounting is required.

### PRODUCT SPECIFICATIONS

<b>Model Number:</b>	1017
<b>Accuracy:</b>	1% full scale (Grade 1A, ASME B40.100)
<b>Ranges:</b>	Vac., compound to 20,000 psi
<b>Dial Size:</b>	4½" or 6" diameter
<b>Case Material:</b>	Black epoxy coated aluminum
<b>Ring:</b>	Slip-fit steel ring, black textured enamel
<b>Window:</b>	Glass
<b>Dial:</b>	Aluminum, white background, black figures and intervals.
<b>Pointer:</b>	Friction fit
<b>Movement:</b>	Rotary, 400 SS, Teflon® coated pinion gear and segment
<b>Bourdon Tube and Socket:</b>	Phos. bronze/brass brazed (A) 316L SS/316L SS (S) K Monel/ Monel (P)
<b>Connection Size:</b>	¼, ½ NPT
<b>Connection Location:</b>	Back only
<b>Mounting:</b>	Panel
<b>OPTIONAL FEATURES</b>	
Overload Stop	XOS
Underload Stop	XVS
Throttle Plug (.031) Thread-in	XTS

The following Table is not for conversion purposes.

### STANDARD RANGE TABLE

Pressure		
psi	kg/cm <sup>2</sup> - bar	kPa
0/15	0/1	0/100
0/30	0/1.6	0/160
0/60	0/2.5	0/250
0/100	0/4	0/400
0/160	0/6	0/600
0/200	0/10	0/1000
0/300	0/16	0/1600
0/400	0/25	0/2500
0/600	0/40	0/4000
0/800	0/60	0/6000
0/1000	0/100	0/10,000
0/1500	0/160	0/16,000
0/2000	0/250	0/25,000
0/3000	0/400	0/40,000
0/4000	0/600	0/60,000
0/5000	0/1000	0/100,000
0/6000		
0/7500		
0/10,000		
0/15,000		
0/20,000		
<b>Vacuum</b>		
30 in./0 in.Hg	-1/0	-100/0
<b>Compound</b>		
30 in.Hg/15 psi	-1/0/1.5	-100/0/150
30 in.Hg/30 psi	-1/0/3	-100/0/300
30 in.Hg/60 psi	-1/0/5	-100/0/500
30 in.Hg/100 psi	-1/0/9	-100/0/900
30 in.Hg/150 psi	-1/0/15	-100/0/1500
30 in.Hg/300 psi	-1/0/24	-100/0/2400

### TEMPERATURE LIMITS

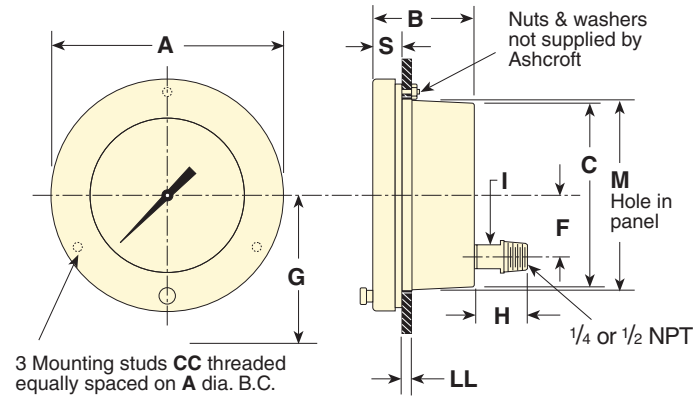
	Ambient	Process	Storage
Dry	-20/200°F (-29/93°C)	-20/250°F (-29/121°C)	-40/250°F (-40/121°C)

**Note:** Other than discoloration of the dial and hardening of the gasketing that may occur as ambient or process temperatures exceeds 150°F, non-liquid-filled gauges with standard glass windows, can withstand continuous operating temperatures up to 250°F (121°C). Accuracy at temperatures above or below the reference ambient temperature of 68°F (20°C) will be affected by approximately .4% per 25°F (4°C). Gauges with welded joints will withstand 750°F (450°F (232°C) with silver brazed joints) for short times without rupture, although other parts of the gauge will be destroyed and calibration will be lost. For continuous use and for process or ambient temperatures above 250°F (121°C), a diaphragm seal or capillary or siphon is recommended.

## Type 1017 General Service Gauge Available With **PLUS!**<sup>™</sup> Performance Option

### Dimensions

#### Case Type 1017 4½" or 6" Back Connect



#### Case Type 1017 4½" or 6" Back Connect

Dial Size Inches	A	B	C	E	F	H	I	M	S	U	CC	LL	Wgt (lbs)
4½	6¼ (154)	2¾ (56)	4¼ (122)	5¾ (136,5)	1½ (41)	1½ (41)	¾ (16)	4¾ (124)	¾ (16)	¾ (19)	10-24	¾-½ (3-13)	2.63 1.2 kg
6	7¾ (192)	2¾ (56)	6¾ (160)	7 (178)	2½ (54)	1½ (41)	¾ (16)	6½ (165)	¾ (16)	¾ (19)	¼-20	¾-½ (3-13)	2.75 1.3 kg

### Bourdon System Selection

Ordering Code Conn. <sup>(2)</sup>	Bourdon Tube & Tip Material <sup>(1)</sup> (all joints TIG welded except "A")	Socket Material	Tube	Range Selection Type	NPT Conn. <sup>(2)</sup>
A	Phosphor Bronze Brass Tip, Silver Brazed	Brass	C-Tube	12/1000	¼
S	316 stainless steel	316 stainless steel	C-Tube	12/1500	¼
			Helical	2000/20,000	½
P <sup>(4)</sup>	K Monel	Monel 400	C-Tube	15/1500	¼
			Helical	2000/30,000	½

- (1) For selection of the correct Bourdon system material, see the media application table.  
 (2) Optional connections available: ½ NPT where ¼ NPT is standard, ¼ NPT where ½ NPT is standard.  
 (3) Single-scale and dual-scale ranges available.  
 (4) 6" dial not available with monel system.

### HOW TO ORDER:

45    1017    A    02B    XXX    1000#

1. Dial size—4½", 6" \_\_\_\_\_
2. Case type—1017 \_\_\_\_\_
3. Tube and socket material \_\_\_\_\_
4. Connection size—¼ (02), ½ (04) \_\_\_\_\_
5. Connection location—Back (B) only \_\_\_\_\_
6. Optional features—see page 1 \_\_\_\_\_
7. Standard pressure range—1000 psi \_\_\_\_\_