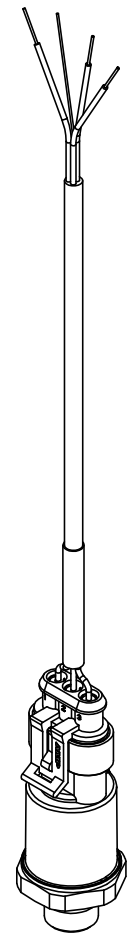
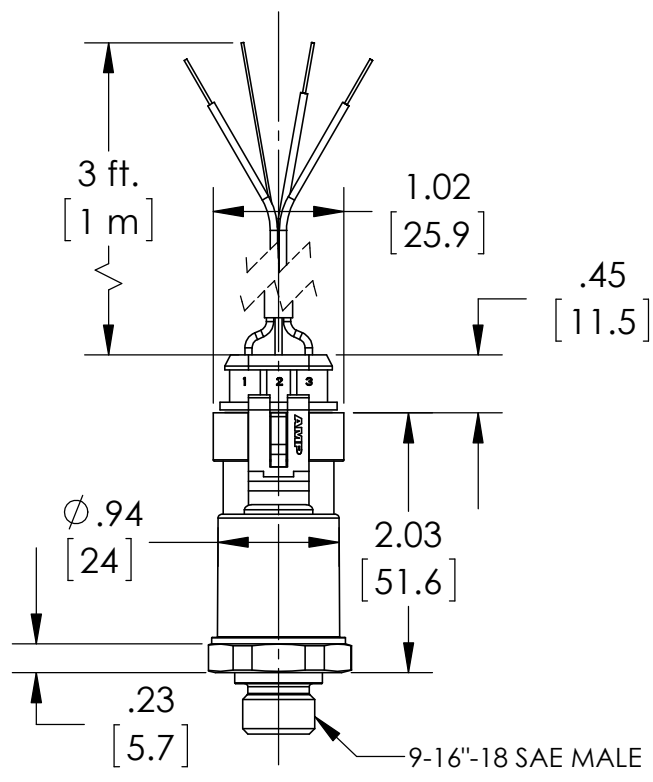
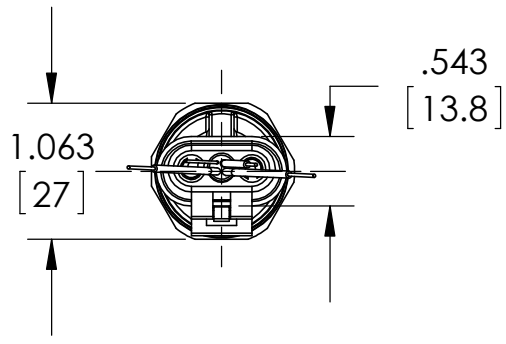


This drawing includes confidential information which is the property of ASHCROFT INC. This copy is loaned for a specific purpose, with the understanding that it will not be reproduced or used for any other purpose or disclosed to others, and it will be returned on demand.



DIMENSIONS IN [ ] ARE MILLIMETERS

REV.	ECO	DESCRIPTION	BY	DATE
A	0005200	RELEASED GENERAL DIMS.	MJS	10/21/2011

This print certified correct for		<b>General Dimensions</b>			
Customer's Name		<b>G2 SERIES TRANSDUCER</b>			
		<b>G27MEVxxA2</b>			
Customer's Order No.	Drawn MJS	Date 10/21/11	Date of Issue		
Ashcroft Order No.	Checked	Date	SHEET-1		Rev.
Certified by	Date	Approved	Date	<b>70A3760</b>	<b>A</b>